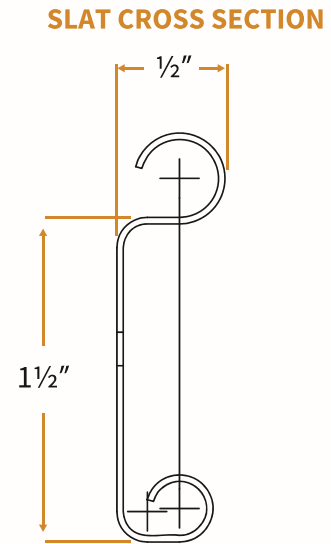
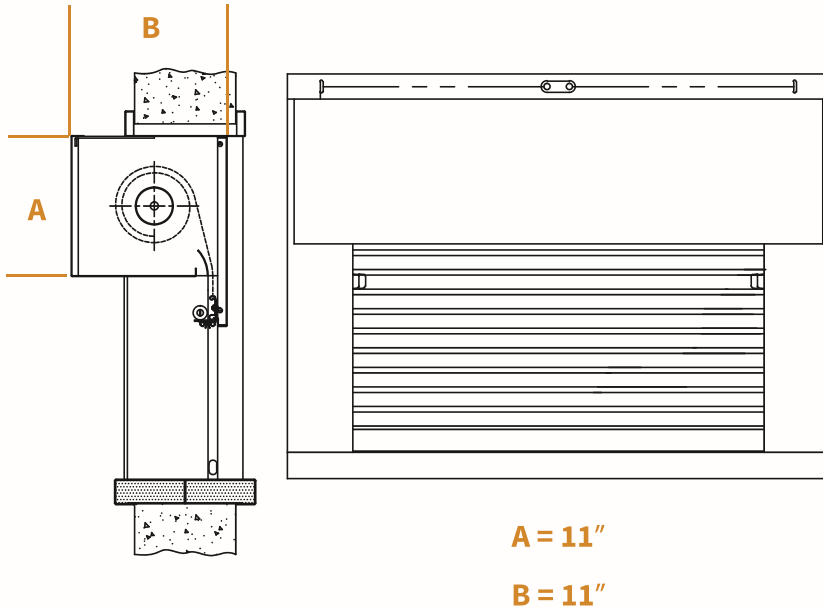


FIRE PROTECTIVE CLOSURES

FIRE RATED COUNTER SHUTTERS

Model ERC20 (Integral Frame and Sill)

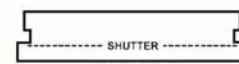


CUSTOM UL LABELED COUNTERTOPS MAY BE SUPPLIED IN PLACE OF THE STANDARD INTEGRAL STAINLESS STEEL SILL

Laminate Countertops are 1 $\frac{5}{8}$ " thick and have a fire retardant core. UL 1 $\frac{1}{2}$ hour label. **Standard** plastic laminates may be selected from Formica®, Wilsonart®, Pionite® or Nevamar®. Custom designed in all shapes at right with a maximum counter depth of 48".

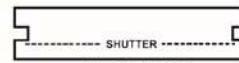
Stainless steel countertops are 2" thick and formed of 14 gauge stainless steel in #4 finish, with a refractory fiber core. UL 1 $\frac{1}{2}$ hour label. Custom designed to a maximum wall opening width of 10'-10" for between jambs (rectangular shape). Maximum wall thickness is 12".

Standard stainless steel counter depth is wall thickness + 3 $\frac{1}{8}$ "
 Custom stainless steel countertop depth is available up to 25 $\frac{1}{2}$ "



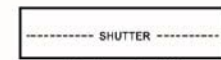
Offset H Sill

UL Classified Plastic Laminate Only

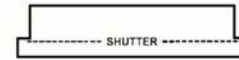


Standard H Sill

UL Classified Plastic Laminate Only



Rectangular Sill



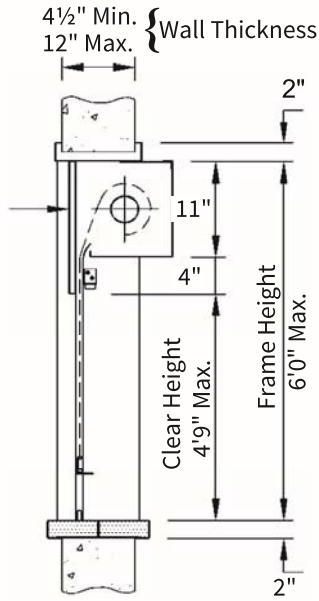
T Sill

The dimensions featured on this sheet are provided as a guide. Please visit our website at www.cornelliron.com/drawings to generate drawings on demand with exact dimensions.

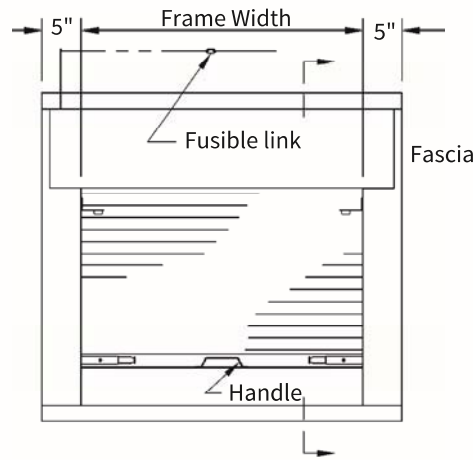
FIRE PROTECTIVE CLOSURES FIRE RATED COUNTER SHUTTERS
Model ERC20 (Integral Frame and Sill)

ROLLING COUNTER FIRE DOORS WITH INTEGRAL FRAMES

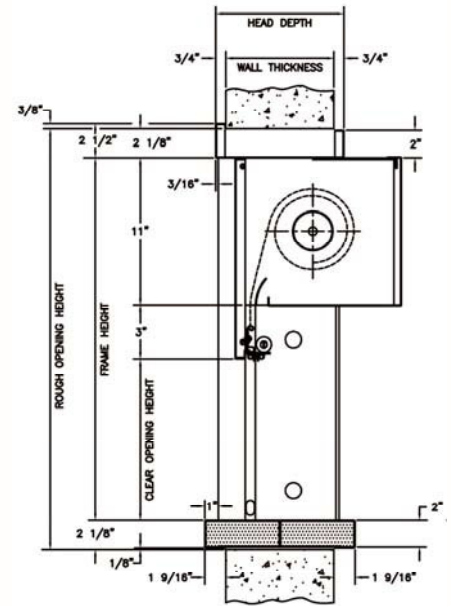
BUILT IN JAMB DETAILS



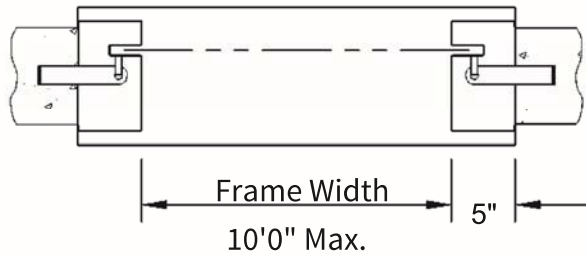
ELEVATION



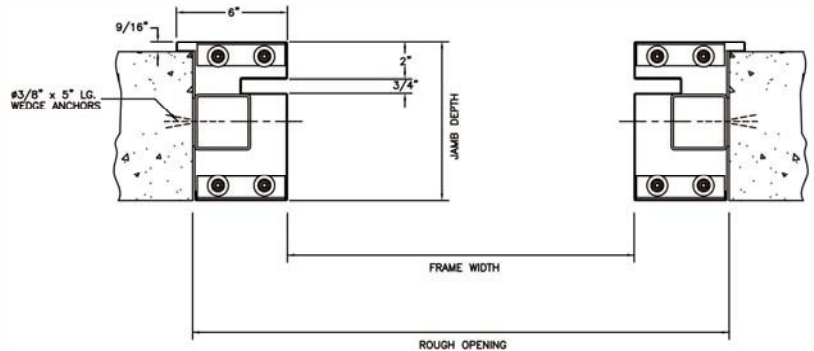
SLIP IN JAMB DETAILS



BUILT IN JAMB DETAILS



SLIP IN JAMB DETAILS



The dimensions featured on this sheet are provided as a guide. Please visit our website at www.cornelliron.com/drawings to generate drawings on demand with exact dimensions.

CUSTOM-DESIGNED SOLUTIONS

Our experienced Architectural Design Support Team can customize our products to fit your specific application. Call 800.233.8366 ext. 4551 • ads@cornelliron.com